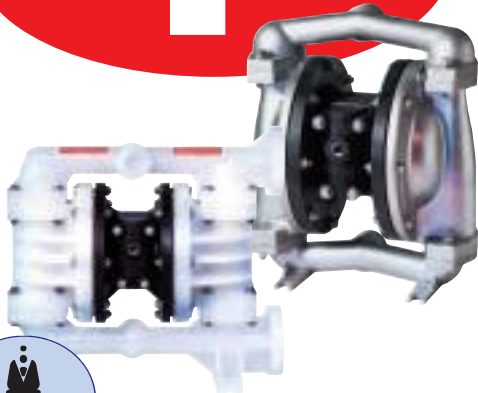




PERFORMANCE PLUS

1"



PLASTIC MODELS:

PB-10 (Polypropylene/Geolast*)	20 lbs. (9,1 kg.)
PE-10 (Polypropylene/Santoprene®/EPDM)	20 lbs. (9,1 kg.)
PT-10 (Polypropylene/PTFE)	20 lbs. (9,1 kg.)
PV-10 (Polypropylene/Viton*)	20 lbs. (9,1 kg.)
KT-10 (PVDF/PTFE)	30 lbs. (13,7 kg.)
KE-10 (PVDF/Santoprene®/EPDM)	30 lbs. (13,7 kg.)
KV-10 (PVDF/Viton*)	30 lbs. (13,7 kg.)

METALLIC MODELS:

AB-10 (Aluminum/Geolast*)	23 lbs. (10,5 kg.)
AE-10 (Aluminum/Santoprene®/EPDM)	23 lbs. (10,5 kg.)
AT-10 (Aluminum/PTFE)	23 lbs. (10,5 kg.)
AV-10 (Aluminum/Viton*)	23 lbs. (10,5 kg.)
SB-10 (316 SS/Geolast*)	45 lbs. (20,4 kg.)
SE-10 (316 SS/Santoprene®/EPDM)	45 lbs. (20,4 kg.)
SP-10 (316 SS/PTFE)	45 lbs. (20,4 kg.)
SV-10 (316 SS/Viton*)	45 lbs. (20,4 kg.)

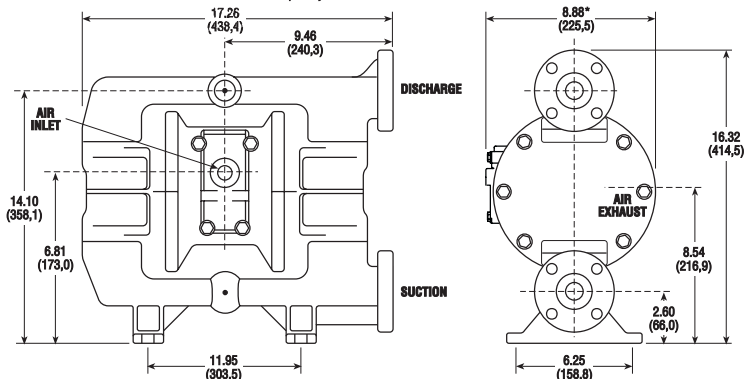
All fasteners are 18-8 stainless steel (comparable to 302-304).

SPECIFICATIONS:

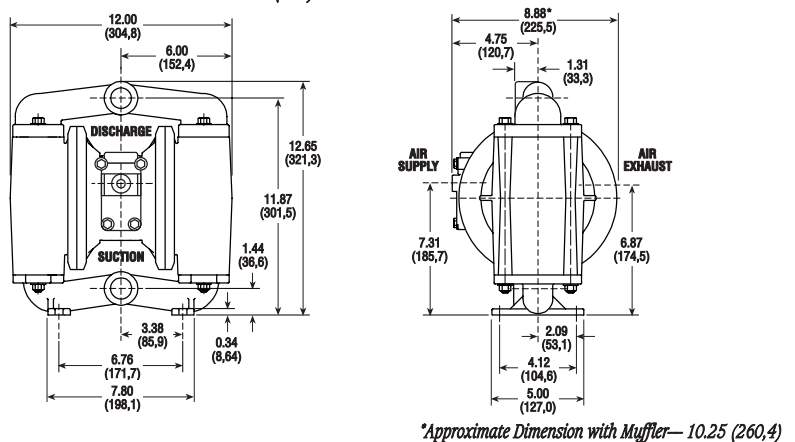
- Capacity:**
Adjustable 0 – 41 GPM (155,8 liters/min.)
- Maximum Temperature:**
KT-10 Model 200°F (93°C)
Other Plastic Models 150°F (66°C)
Metallic Models 200°F (93°C)
- Maximum Air Pressure:**
All Models 120 PSI (8,2 bar)
- Minimum Air Pressure:**
All Models 20 PSI (1,3 bar)
- Dry Lift Capacity @ 120 PSI (8,2 bar):**
Models w/PTFE balls 10 ft. (3 meters)
Other Ball Check models 15 ft. (4,5 meters)
Plastic models w/Max-Pass™ valve. 18 ft. (5,5 meters)
- Maximum Solids:** 1/4" (6,4 mm)
Optional Max-Pass™ valves 3/4" (19 mm)
- Air Supply:**
Inlet 1/4" NPT Female
Outlet. 3/8" NPT Female

- *Muffler supplied*
- Fluid Inlet/Discharge:**
Plastic Models . . . 1" Flange ANSI/DIN compatible
Metallic Models 1" NPT
- *For optional BSP threads add - P15 to Model No.*
- *For Plastic Pumps Only: Stock models have a flanged side port. Optional threaded center ports must be specified when ordering (See options page for code).*

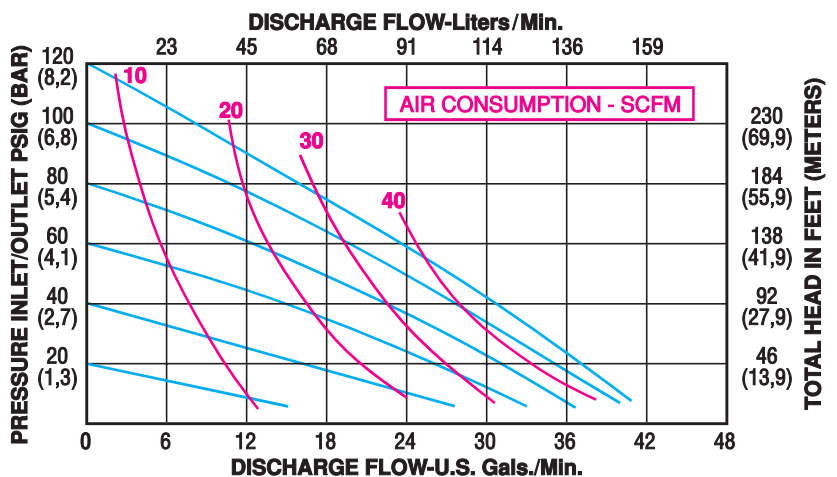
PLASTIC Dimensions in inches and (mm).



METALLIC Dimensions in inches and (mm).



PERFORMANCE CURVE (Based on water-flooded suction)



NEW OPTIONAL MAX-PASS™ VALVE SYSTEM

- Increases solids handling capability by 300% and suction lift by 25%
 - Up to 3/4" solids for the 1" plastic pumps
 - Abrasion resistant
 - Mounts in any position
 - To order the Max-Pass™ valve system add the following code to the model number: -M4 (Nitrile), M5 (EPDM), M40 (Viton FDA)
- Ideal for inks, paints, slurries, and other specialized applications*